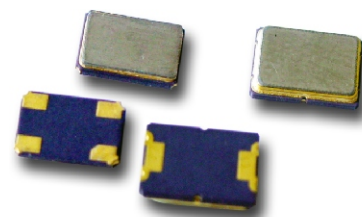


## XM75, XM63, XM53

- SMD Crystal Resonators
- Excellent aging characteristics
- High quality quartz crystal units for communication equipment and measuring instrument



RESONATOR

**Table1 Specifications**

Parameter	XM75	XM63	XM53
Frequency Range	8~40MHz	10~40MHz	12~40MHz
Vibration Mode	AT Cut / Fund		
Frequency Tolerance ( @25°C ± 2°C )	± 5 ~ ± 20ppm, ± 10ppm typical		
Frequency Stability vs Operation	See Table 2		
Temperature Range			
Resonance Resistance	See Table 3		
Shunt Capacitance	5pF Max		
Load Capacitance	6pF ~ ∞, Series		
Drive Level	2μW ~ 500μW		
Insulation Resistance	500MΩ @ DC100V		
Aging	± 1, ± 2ppm/year		
Package	XM75	XM63	XM53
Package Option	-T : Tape and Reel		

**Table2 Frequency Stability vs Operation Temperature Range(Ref to 25°C) &Option Code**

	±3ppm	±5ppm	±10ppm	±20ppm	±30ppm	±50ppm
0~50°C	A03	A05	A10	A20	A30	A50
-10~60°C	B03	B05	B10	B20	B30	B50
-20~70°C		C05	C10	C20	C30	C50
-30~75°C			D10	D20	D30	D50
-40~85°C				E20	E30	E50

**Table3 Resonance Resistance**

Frequency	Vib.Mode	XM75, XM63, XM53
8~10MHz	ATCut/Fund	50 Ω max
10~15MHz	ATCut/Fund	40 Ω max
15~40MHz	ATCut/Fund	30 Ω max

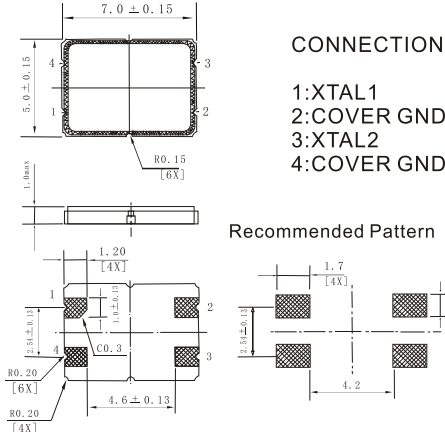
**SMD Crystals**

**Part Numbering Key**

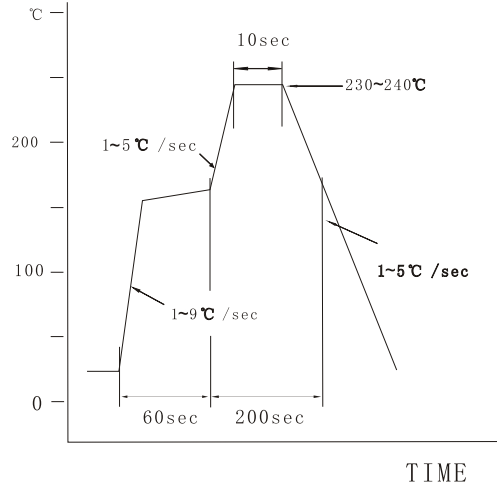
SERIES	CIRCUIT CONDITION	FREQ. TOLERANCE @25°C	MODE	FREQ. STABILITY vs.TEMP	PACKAGE	PACKAGE OPTIONS	FREQUENCY
XM75	S=Series	±5~±20ppm	F=Fund.	See Table2	XM75	See Table1	12M, 12.8M
XM63	6P.8P				XM63		13M, 14.4M,
XM53	10P.12P 15P.20P extra				XM53		19.2M, 26M 20M, etc
XM53	15P	10	F	B10	XM53	-T	19.680MHz

Sample Part Numbers  
[XM53-15P10FB10-XM53-T](#)  
[@19.680Mhz](#)

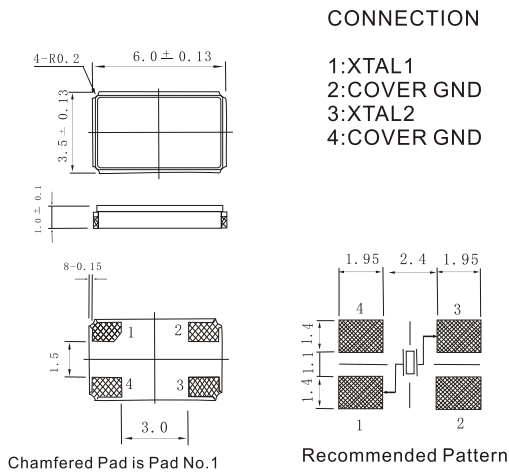
### Package XM75 Unit:mm



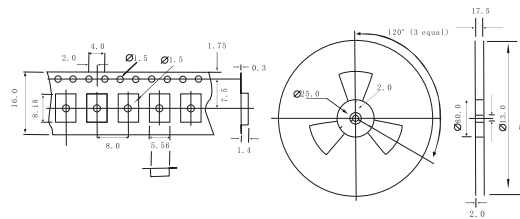
### Solder Condition Infrared-Reflow:



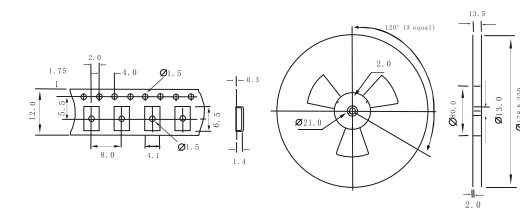
### Package XM63 Unit:mm



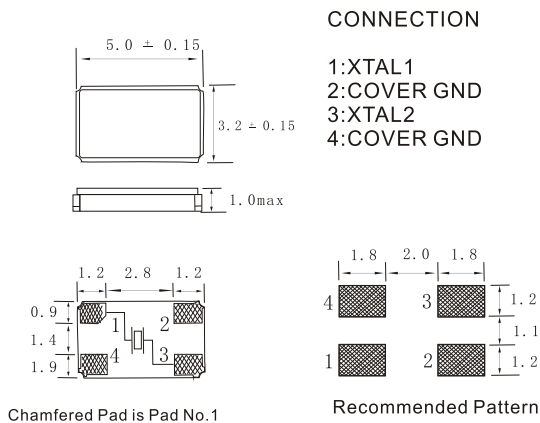
### TAPE&REEL for XM75 Package Unit:mm



### TAPE&REEL for XM63 Package Unit:mm



### Package XM53 Unit:mm



### TAPE&REEL for XM53 Package Unit:mm

