

Lianyungang Macrobiz Co., Ltd.

www.macrobiz.com

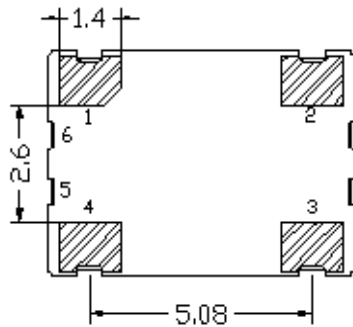
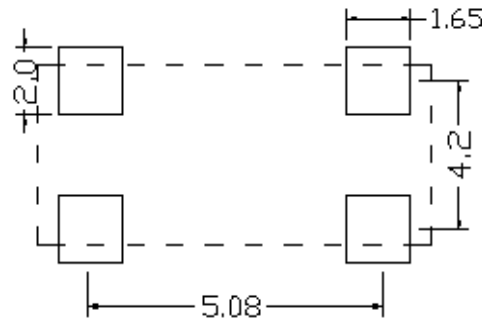
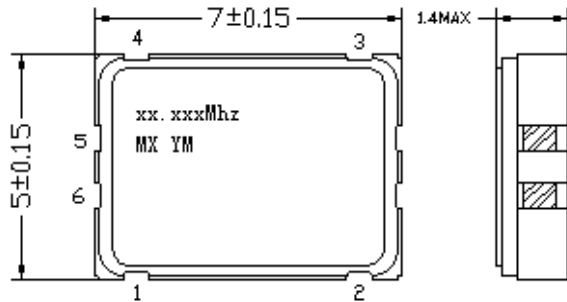
Tel:+86 518 85816415

Fax:+86 518 85814745



Specifications of Oscillator 5.0*7.0
SMD OS75

DIMENSION AND MARKING



PIN	FUNCTION
1	Tristate
2	GROUND
3	OUTPUT
4	VDD
5	CRYSTAL
6	CRYSTAL

ELECTRICAL SPECIFICATION

TYPE	: 5*7-Side Pad Oscillator
Frequency Range	: 1.000Mhz to 150Mhz
Frequency Stability	: ±25ppm to ±50ppm
Supply Voltage	: 5.0V or 3.3V ±10%
Operating Temperature Range	: -10°C ~ +60°C or -40°C ~ +85°C
Storage Temperature Range	: -40°C ~ +85°C or -55°C ~ +125°C
Symmetry (Duty Cycle)	: 40/60 Standard
Output Load	: 10TTL or 15pF HCMOS
Current Consumption (15pF only)	: 1.000~36.000Mhz : 25mA Max
(5.0V)	: 36.000~70.000Mhz : 60mA Max
	: 70.000~150.00Mhz : 80mA Max
Current Consumption (15pF only)	: 1.000~36.000Mhz : 20mA Max
(1.8V, 2.5V, 2.85V, 3.3V)	: 36.000~70.000Mhz : 40mA Max
	: 70.000~150.00Mhz : 60mA Max
Rise/Fall Time	: 10nS Max

Special Instructions:

Tape and Reel
RoHS Compliant

NOTE:

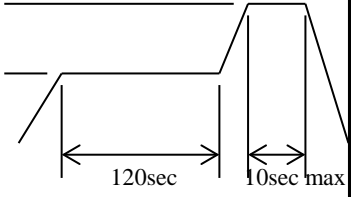
Lianyungang Macrobizes Co., Ltd.
www.macrobizes.com



Specifications of
Oscillator 5.0*7.0 SMD
OS75

Tel:+86 518 85816415
Fax:+86 518 85814745

RELIABILITY

NO	ITEM	CONDITIONS	BASIS OF VERDICT
1	DROP	High:100cm;Thickness:3cm;3tims	$\Delta FL \pm 5\text{ppm Max}$
2	VIBRATION	Frequency:10~57.7Hz: Amplitude: $\pm 0.75\text{mm}$ Frequency:57.7Hz~500Hz: acceleration rate: 98m/s^2 Cycle time:10-500-10Hz: 15min Direction:X,Y, Z Duration: 2 h/direction	$\Delta FL \pm 5\text{ppm Max}$
3	TEMPERATURE SHOCK	$-40^{\circ}\text{C}\pm 2^{\circ}\text{C}(30\text{min})$ -- $85^{\circ}\text{C}\pm 2^{\circ}\text{C}(30\text{min})$;For 10 cycles	$\Delta FL \pm 5\text{ppm Max}$
4	HUMIDITY	Temp: $40^{\circ}\text{C}\pm 2^{\circ}\text{C}$;Humidity:90-95%;Times:96h	$\Delta FL \pm 5\text{ppm Max}$
5	COLD RESISTANCE	Temp: $-40^{\circ}\text{C}\pm 2^{\circ}\text{C}$;Times:96h	$\Delta FL \pm 5\text{ppm Max}$
6	HEAT RESISTANCE 1	Temp: $100^{\circ}\text{C}\pm 2^{\circ}\text{C}$;Times:96h	$\Delta FL \pm 5\text{ppm Max}$
7	HEAT RESISTANCE 2	Temp: $155^{\circ}\text{C}\pm 2^{\circ}\text{C}$;Times:2h	$\Delta FL \pm 5\text{ppm Max}$
8	HEAT RESISTANCE 3	Temp: $85^{\circ}\text{C}\pm 2^{\circ}\text{C}$; Voltage:3.3V / 5.0V Times:96h	$\Delta FL \pm 5\text{ppm Max}$
9	REFLOW	<p>$270^{\circ}\text{C}\pm 5^{\circ}\text{C}$</p>  <p>$150^{\circ}\text{C}\pm 5^{\circ}\text{C}$</p> <p>120sec 10sec max</p> <p>CYCLE TIME: 200sec Max.</p>	$\Delta FL \pm 5\text{ppm Max}$
10	AGING	Temp: 85°C ;Times:30days	$\Delta FL \pm 5\text{ppm Max}$
11	LEAKAGE	He(0.6~0.65MPa):10min	$3*10^{-9}\text{Pa.m}^3/\text{s Max}$
12	SOLDER	Temp: $235^{\circ}\text{C}\pm 5^{\circ}\text{C}$	$\Delta FL \pm 5\text{ppm Max}$

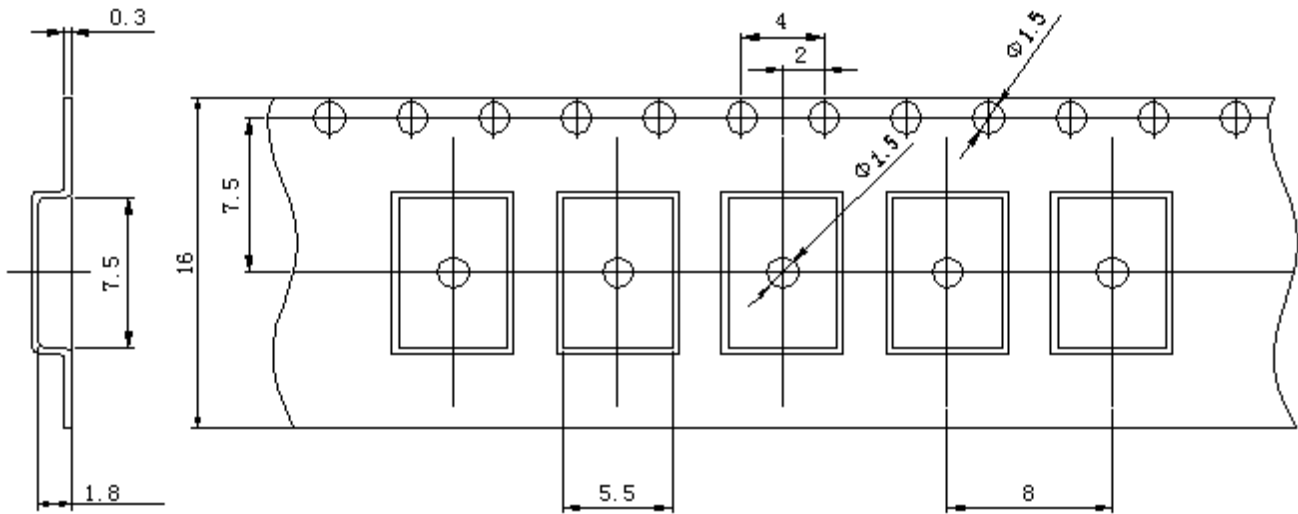
Lianyungang Macrobizes Co., Ltd.
www.macrobizes.com



Specifications of
Oscillator 5.0*7.0 SMD
OS75

Tel:+86 518 85816415
Fax:+86 518 85814745

Tape



Reel

