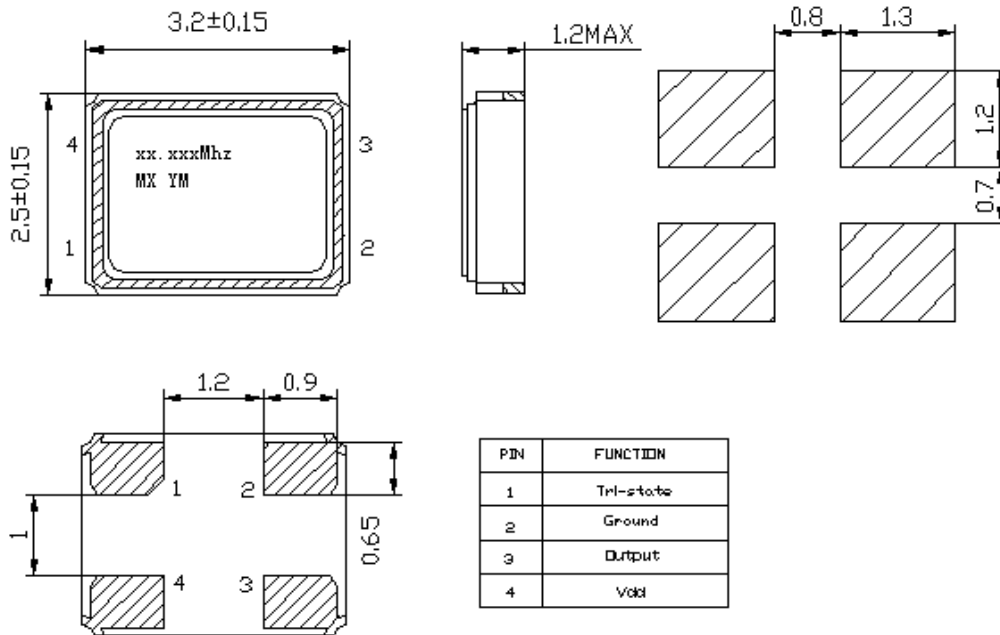




DIMENSION AND MARKING



ELECTRICAL SPECIFICATION

TYPE	: 3.2*2.5 SMD Oscillator	Special Instructions: Tape and Reel Rohs Compliant
Frequency Range	: 1.000Mhz to 150Mhz	
Frequency Stability	: ± 25 ppm to ± 50 ppm	
Supply Voltage	: 5.0V or 3.3V $\pm 10\%$	
Operating Temperature Range	: $-10^{\circ}\text{C} \sim +60^{\circ}\text{C}$ or $-40^{\circ}\text{C} \sim +85^{\circ}\text{C}$	
Storage Temperature Range	: $-40^{\circ}\text{C} \sim +85^{\circ}\text{C}$ or $-55^{\circ}\text{C} \sim +125^{\circ}\text{C}$	
Symmetry (Duty Cycle)	: 40/60 Standard	
Output Load	: 10TTL or 15pF HCMOS	
Current Consumption (15pF only)	: 1.0000~150.000Mhz : 25mA Max	
(5.0V)		
Current Consumption (15pF only)	: 1.0000~150.000Mhz : 20mA Max	
(1.8V, 2.5V, 2.85V, 3.3V)		
Rise/Fall Time	: 10nS Max	

NOTE:



Tel:+86 518 85816415
Fax:+86 518 85814745

RELIABILITY

NO	ITEM	CONDITIONS	BASIS OF VERDICT
1	DROP	High:100cm;Thickness:3cm;3tims	$\Delta FL \pm 5 \text{ppm Max}$
2	VIBRATION	Frequency:10~57.7Hz: Amplitude: $\pm 0.75 \text{mm}$ Frequency:57.7Hz~500Hz: acceleration rate: 98m/s^2 Cycle time:10-500-10Hz: 15min Direction:X,Y, Z Duration: 2 h/direction	$\Delta FL \pm 5 \text{ppm Max}$
3	TEMPERATURE SHOCK	$-40^\circ\text{C} \pm 2^\circ\text{C}(30\text{min})$ -- $85^\circ\text{C} \pm 2^\circ\text{C}(30\text{min})$;For 10 cycles	$\Delta FL \pm 5 \text{ppm Max}$
4	HUMIDITY	Temp: $40^\circ\text{C} \pm 2^\circ\text{C}$;Humidity:90-95%;Times:96h	$\Delta FL \pm 5 \text{ppm Max}$
5	COLD RESISTANCE	Temp: $-40^\circ\text{C} \pm 2^\circ\text{C}$;Times:96h	$\Delta FL \pm 5 \text{ppm Max}$
6	HEAT RESISTANCE 1	Temp: $100^\circ\text{C} \pm 2^\circ\text{C}$;Times:96h	$\Delta FL \pm 5 \text{ppm Max}$
7	HEAT RESISTANCE 2	Temp: $155^\circ\text{C} \pm 2^\circ\text{C}$;Times:2h	$\Delta FL \pm 5 \text{ppm Max}$
8	HEAT RESISTANCE 3	Temp: $85^\circ\text{C} \pm 2^\circ\text{C}$; Voltage:3.3V / 5.0V Times:96h	$\Delta FL \pm 5 \text{ppm Max}$
9	REFLOW	<p>$270^\circ\text{C} \pm 5^\circ\text{C}$</p> <p>$150^\circ\text{C} \pm 5^\circ\text{C}$</p> <p>120sec 10sec max</p> <p>CYCLE TIME: 200sec Max.</p>	$\Delta FL \pm 5 \text{ppm Max}$
10	AGING	Temp: 85°C ;Times:30days	$\Delta FL \pm 5 \text{ppm Max}$
11	LEAKAGE	He(0.6~0.65MPa):10min	$3 \times 10^{-9} \text{Pa} \cdot \text{m}^3/\text{s Max}$
12	SOLDER	Temp: $235^\circ\text{C} \pm 5^\circ\text{C}$	$\Delta FL \pm 5 \text{ppm Max}$

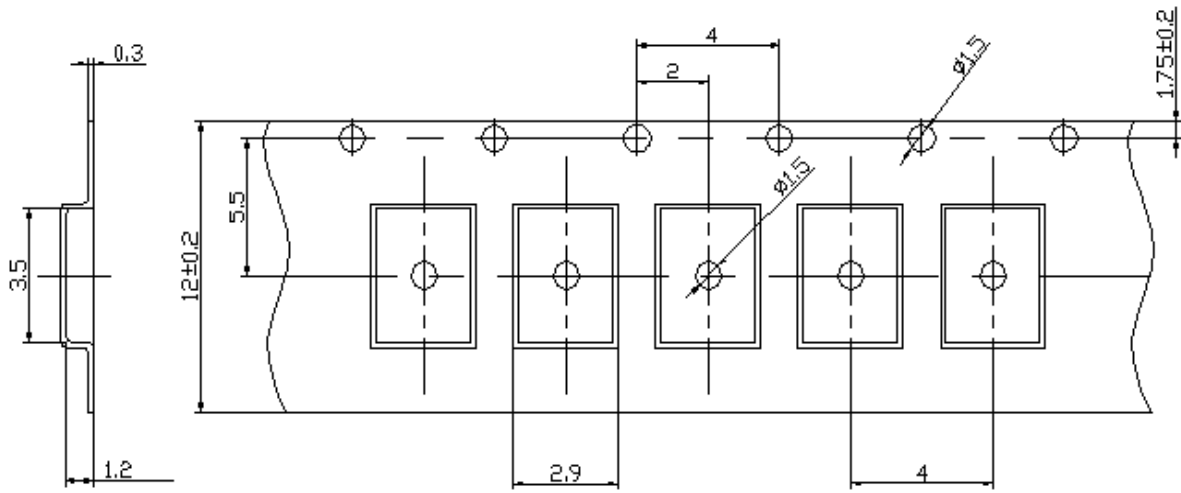
Lianyungang Macrobizes Co., Ltd.
www.macrobizes.com



Specifications of
Oscillator 3.2x2.5 SMD
OS32

Tel:+86 518 85816415
Fax:+86 518 85814745

Tape



Reel

