



- SC Crystal
- Low Phase Noise

OLP01

Table1 Specifications

| Parameter | | OLP01 |
|---|---------------------------|--|
| Frequency Range | | 5~40MHz |
| Standard Frequency | | 5, 10, 20MHz |
| Stability | vs Operation Temp. Range | $\pm 5 \times 10^{-8}$, Stability Code is "5.8" |
| | vs Vcc Change $\pm 5\%$ | $\pm 2 \times 10^{-9}$ |
| | vs Load Change $\pm 10\%$ | $\pm 2 \times 10^{-9}$ |
| | vs Aging | $\pm 5 \times 10^{-8}$ /year, $\pm 2 \times 10^{-10}$ /day @25°C after 30 days operation |
| Operation Temperature Range | | -10~+55°C, Temperature Range Code is "L" |
| Supply Voltage | | 5V, 9V, 12V, 15V(option code 5,9,12,15) |
| Current Consumption (@12Vcc) | | 350mA max at Turn-on, 150mA max after warm up at 25°C |
| Short Term Stability(Allen Std Deviation) | | $\pm 5 \times 10^{-12}$ |
| Output | Wave Form | Sine, 7dBm, Code is "S" |
| | Load | 50 Ω |
| | Harmonic Suppression | -30dB |
| | Non-Harmonic Suppression | -70dBc |
| SSB Phase Noise (10MHz, typical) | | -120dBc/Hz@10Hz -135dBc/Hz@100Hz -145dBc/Hz@1KHz -150dBc/Hz@10KHz |
| Warm-up Time@25°C Typical | | $\pm 5 \times 10^{-8}$ after 10 minutes |
| Frequency Adjustment (from OV to Vref.) | | $\pm 7 \times 10^{-7}$ |
| Package | | 38A,50D,50C |
| Storage Temperature Range | | -40~+85°C |

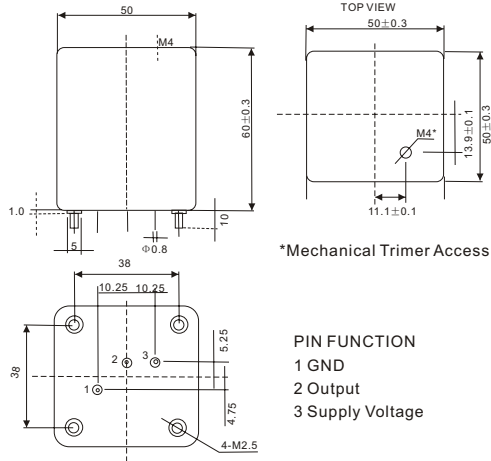
OCXOs
Part Numbering Key

| SERIES | SUPPLY VOLTAGE | OUTPUT FORM | FREQ.STABILITY vs.TEMP | PACKAGE CODE | FREQUENCY |
|--------|----------------|-------------|---|--------------|-----------|
| OL01 | 5=5V | S=Sine | $5.8 = \pm 5 \times 10^{-8}$ L=-10~+55°C | 38A | |
| | 9=9V | | | 50C | |
| | 12=12V | | | 50D | |
| | 15=15V | | | | |
| OL01 | 12 | S | L5.8 | 38A | 10.000MHz |

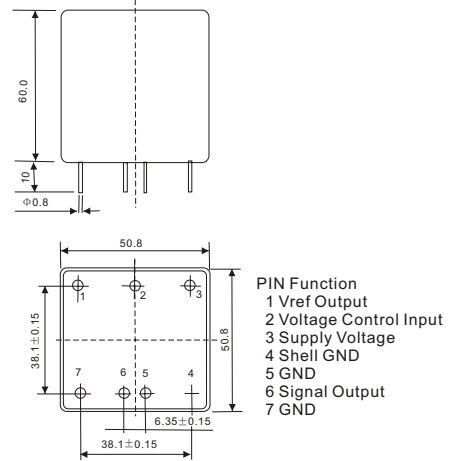
Sample Part Numbers
 OLP01-12S-P1.8-38A
 @10.000MHz

About OCXO

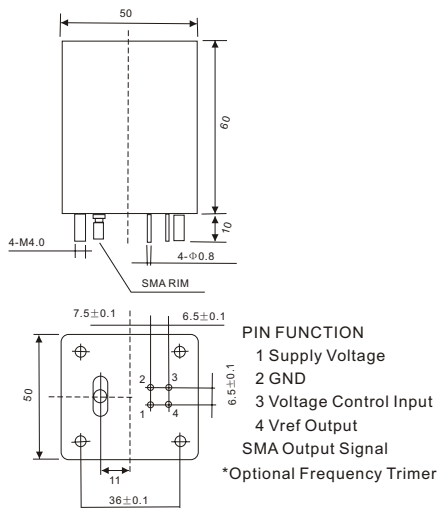
Package 50A Unit:mm



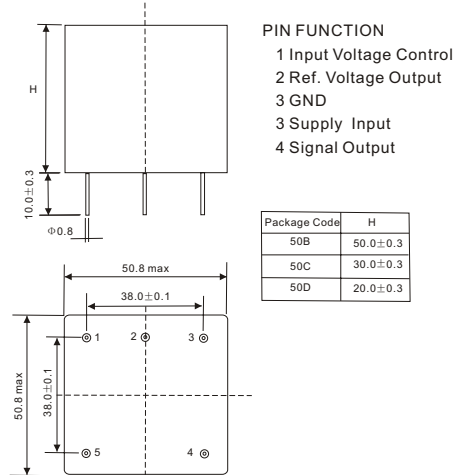
Package 50E Unit:mm



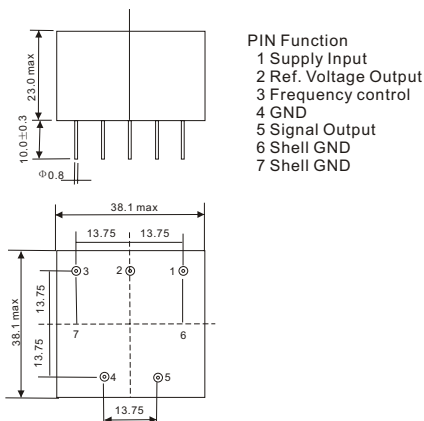
Package 50A1 Unit:mm



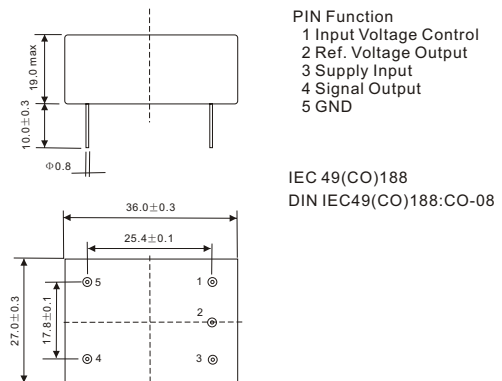
Package 50B,50C,50D Unit:mm



Package 38A Unit:mm

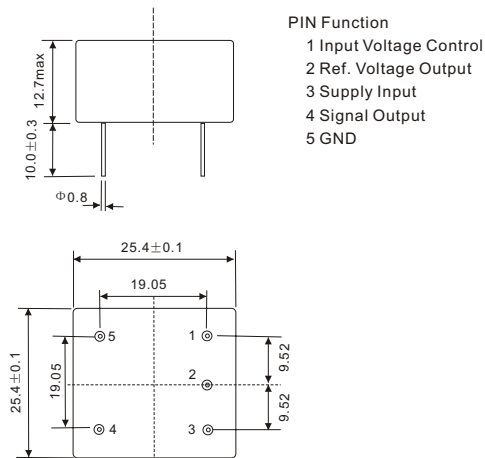


Package 36A Unit:mm

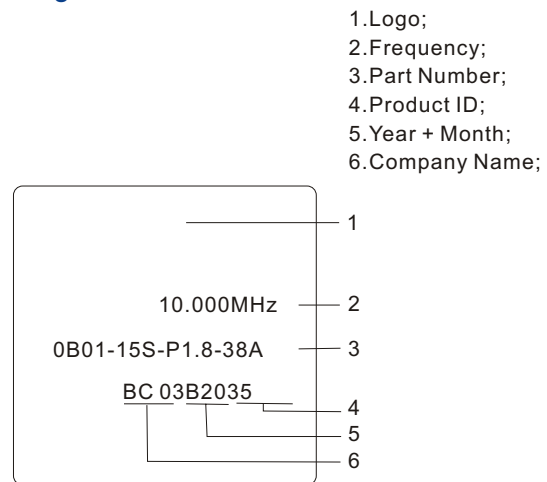


About OCXO

Package 25A



Marking

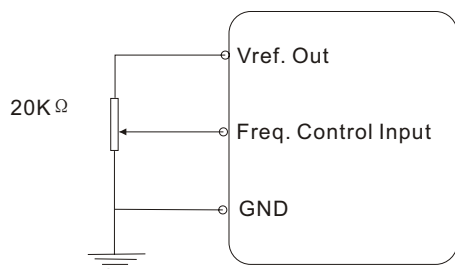


1.Environmental Specification.

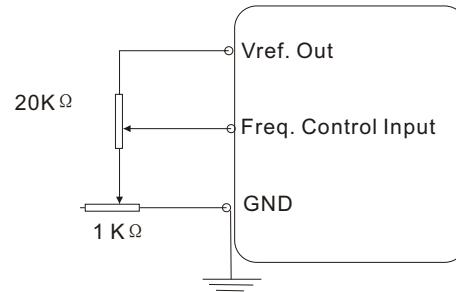
- Shock: 50g for 11ms, 3 shocks in each direction of main axis.
- Vibration: 10 to 500Hz, 10g

2.About Frequency Adjustment.

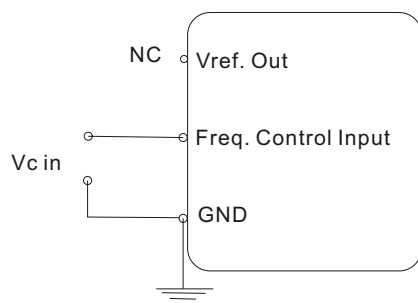
Manual Freq. Adjust Connection



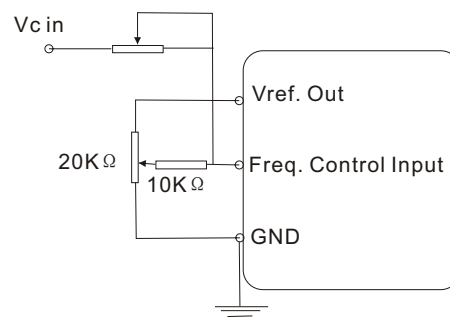
Fine Manual Freq. Adjust Connection



External Freq. Control Voltage Connection



Freq. Control Voltage and Manual Adjust



ORDER SHEET



Customer OCXO Requirements Form
用户定制产品要求表

*Please check Part Number first and standard product ◆Minimum specification information required for pricing
* 请先查看“产品编号”并尽量选用标准产品 ◆必须填写的指标要求，否则无法报价

| | | | |
|--|---|--------------------------|-------------------|
| Frequency 工作频率 | ◆ | | MHz |
| Output Waveform 输出波形 | ◆ | | |
| Output Level/Load 输出电平/负载 | ◆ | | |
| Harmonics/Non-Harmonics 谐波/非谐波抑制 | | | |
| Tr/Ts 上升/下降时间(Square Wave, 方波) | | | nS |
| Duty Cycle 占空比(Square Wave, 方波) | | | % |
| Supply Voltage 电源电压 | ◆ | | Vdc |
| Power | | Warm-up 预热时 | mA or Watts |
| Consumption 电流消耗 | | Stabilized@25℃ 稳定时 | mA or Watts |
| Warm up Time 预热时间 | | | Minutes |
| Operation Temperature Range 工作温度范围 | ◆ | | ℃ |
| Phase Noise 相位噪声 | | 10Hz | dBc/Hz |
| | | 100Hz | dBc/Hz |
| | | 1KHz | dBc/Hz |
| | | 10KHz | dBc/Hz |
| Short Time Stability 短稳 | | | |
| Frequency | | vs Suooly Voltage Change | |
| Stability | | vs Load Change | |
| 频率稳定度 | ◆ | vs Operation Temperature | |
| Aging 老化率 | | After 7 days on power | /Day |
| | ◆ | After 30 days on power | /Year |
| Frequency Adjust 频率微调 (选择1种) | Electrical <input type="checkbox"/> 电调 Trimmer <input type="checkbox"/> 内部机械 | Range 范围 | ◆ ± ppm |
| | | Linearity 线性度 | % |
| | | Slope 极性 | Positive/negative |
| | | Control Voltage | Vdc |
| Package Size 外形尺寸与引线定义 (如果是非标准尺寸, 请附图纸) | ◆ | | |
| Marking 产品印字 | | | |

Additional Notes 其他说明 (如果是标准产品, 请在此填写产品编号)

| | | | |
|--------------------|--|--------------|----------------|
| Name 姓名 | | Job Title 职务 | |
| Company Name 公司 | | | |
| Adress 地址 | | | Postcode 邮编 |
| | | | |
| Telephone 电话 | | Fax 传真 | |
| E-Mail | | HTTP:// | |