

# OA01, OA02



- SC Crystal Option
- Ultra high stability oven controlled crystal oscillator
- Applied in instrumentation, metrology

## Table1 Specifications

Parameter		Oa01	Oa02
Standard Frequency		5MHz, 10MHz	
Frequency	vs Operation Temp. Range	$\pm 2 \times 10^{-9}$ , Stability Code is "2.9"	
	vs Vcc Change $\pm 5\%$	$\pm 2 \times 10^{-10}$	
	vs Load Change $\pm 10\%$	$\pm 2 \times 10^{-10}$	
	vs Aging	$\pm 5 \times 10^{-8}$ /year, $\pm 3 \times 10^{-10}$ /day @25°C after 30 days operation	
Operation Temperature Range		-10~+55°C, Temperature Range Code is "L"	
Supply Voltage		12V(option code 12), 15V(option code 15)	
Current Consumption		700mA max at Turn-on, 250mA max after warm up at 25°C	
Short Term Stability(Allen Std Deviation)		$\pm 5 \times 10^{-12}$ /s	
Retrace After 24Hrs Off		$\pm 1 \times 10^{-8}$ after 60 minutes	
Output	Wave Form	Sine, 0dBm, Code is "S"	
	Load	50 $\Omega$	
	Harmonic Suppression	-30dB	
	Non-Harmonic Suppression	-70dB	
SSB Phase Noise (10MHz, typical)		-115dBc/Hz@10Hz	-100dBc/Hz@10Hz
		-130dBc/Hz@100Hz	-120dBc/Hz@100Hz
		-140dBc/Hz@1KHz	-140dBc/Hz@1KHz
		-145dBc/Hz@10KHz	-145dBc/Hz@10KHz
Warm-up Time@25°C Typical		$\pm 1 \times 10^{-8}$ after 15 minutes	$\pm 1 \times 10^{-8}$ after 60 minutes
Frequency Adjustment (from OV to Vref.)		$\pm 5 \times 10^{-7}$	
Package		50A, 50B, 50A1, 50E	
Storage Temperature Range		-40~+85°C	

## OCXOs

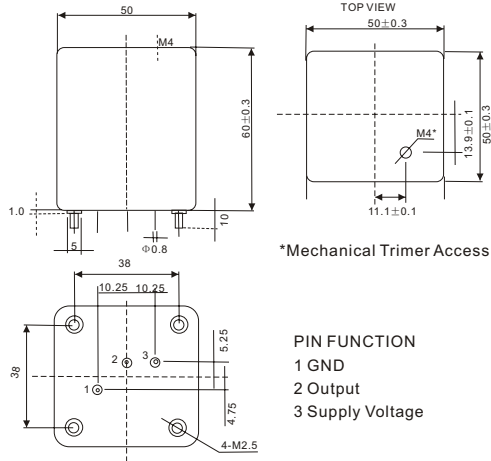
### Part Numbering Key

Sample Part Numbers  
 OA01-12S-L2.9-50A  
 @10.000MHz

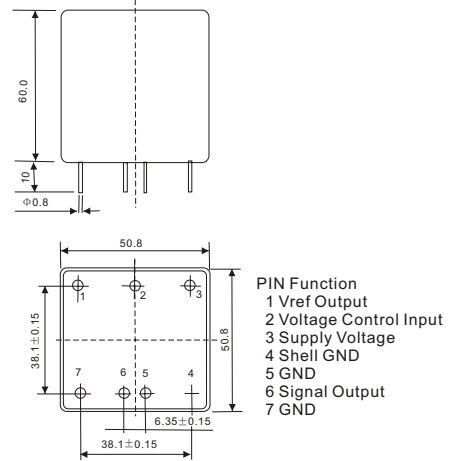
SERIES	SUPPLY VOLTAGE	OUTPUT FORM	FREQ.STABILITY vs.TEMP	PACKAGE CODE	FREQUENCY
OA01	12=12V 15=15V	S=Sine	L=-10~+55°C 2.9= $\pm 2 \times 10^{-9}$	50A, 50B, 50A1, 50E	
Oa01	12	S	L2.9	50A	10.000MHz

# About OCXO

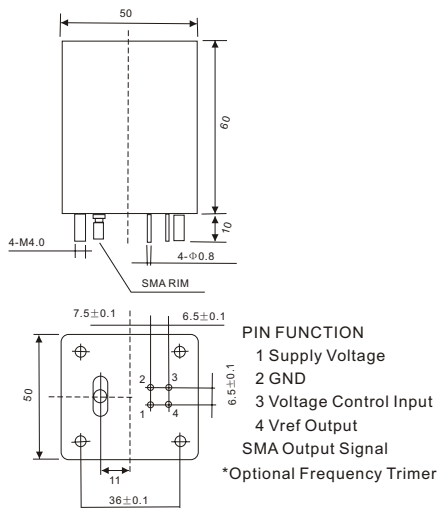
Package 50A Unit:mm



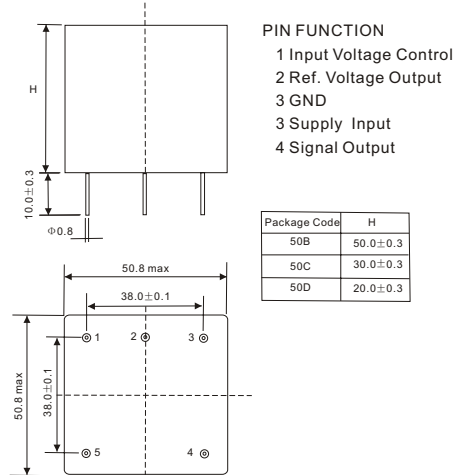
Package 50E Unit:mm



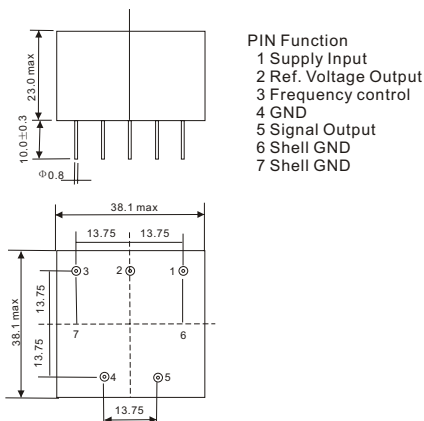
Package 50A1 Unit:mm



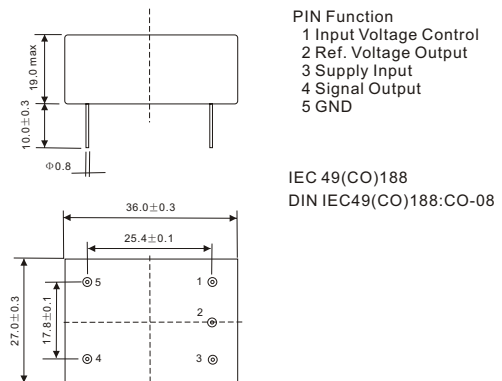
Package 50B,50C,50D Unit:mm



Package 38A Unit:mm

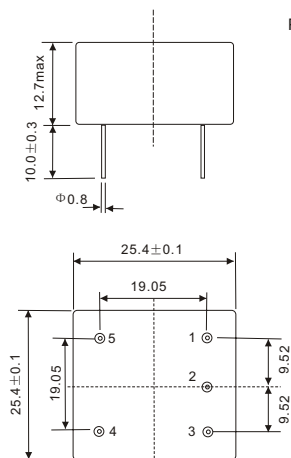


Package 36A Unit:mm



# About OCXO

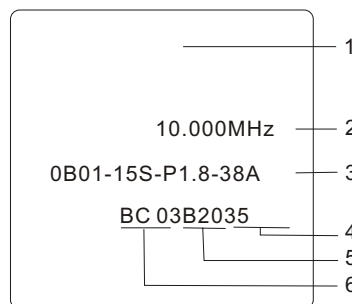
## Package 25A



- PIN Function
- 1 Input Voltage Control
  - 2 Ref. Voltage Output
  - 3 Supply Input
  - 4 Signal Output
  - 5 GND

## Marking

- 1. Logo;
- 2. Frequency;
- 3. Part Number;
- 4. Product ID;
- 5. Year + Month;
- 6. Company Name;

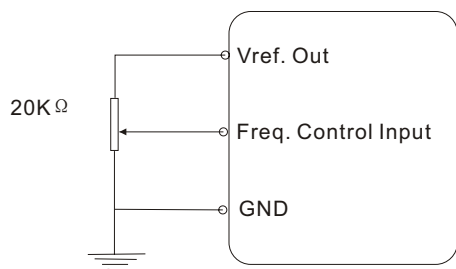


## 1.Environmental Specification.

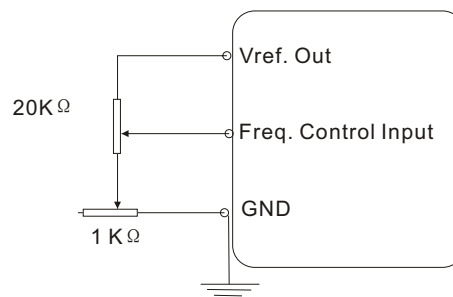
- Shock: 50g for 11ms, 3 shocks in each direction of main axis.
- Vibration: 10 to 500Hz, 10g

## 2.About Frequency Adjustment.

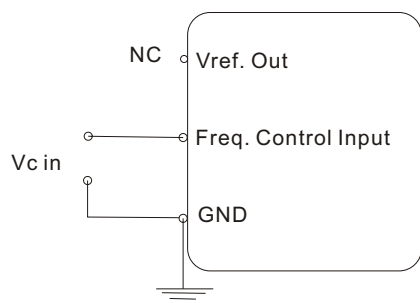
### Manual Freq. Adjust Connection



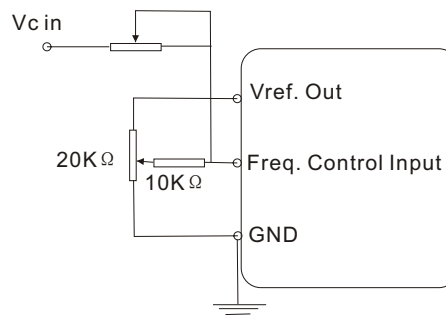
### Fine Manual Freq. Adjust Connection



### External Freq. Control Voltage Connection



### Freq. Control Voltage and Manual Adjust



# ORDER SHEET



Customer OCXO Requirements Form  
用户定制产品要求表

\*Please check Part Number first and standard product      ◆Minimum specification information required for pricing  
\* 请先查看“产品编号”并尽量选用标准产品      ◆必须填写的指标要求，否则无法报价

Frequency 工作频率	◆		MHz	
Output Waveform 输出波形	◆			
Output Level/Load 输出电平/负载	◆			
Harmonics/Non-Harmonics 谐波/非谐波抑制				
Tr/Ts 上升/下降时间(Square Wave, 方波)			nS	
Duty Cycle 占空比(Square Wave, 方波)			%	
Supply Voltage 电源电压	◆		Vdc	
Power		Warm-up 预热时	mA or Watts	
Consumption 电流消耗		Stabilized@25℃ 稳定时	mA or Watts	
Warm up Time 预热时间			Minutes	
Operation Temperature Range 工作温度范围	◆		℃	
Phase Noise 相位噪声		10Hz	dBc/Hz	
		100Hz	dBc/Hz	
		1KHz	dBc/Hz	
		10KHz	dBc/Hz	
Short Time Stability 短稳				
Frequency		vs Suooly Voltage Change		
Stability		vs Load Change		
频率稳定度		vs Operation Temperature	◆	
Aging 老化率		After 7 days on power	/Day	
		After 30 days on power	/Year	
Frequency Adjust 频率微调 (选择1种)	Electrical <input type="checkbox"/> 电调 Trimmer <input type="checkbox"/> 内部机械	Range 范围	◆	± ppm
		Linearity 线性度		%
		Slope 极性		Positive/negative
		Control Voltage		Vdc
Package Size 外形尺寸与引线定义 (如果是非标准尺寸, 请附图纸)	◆			
Marking 产品印字				

Additional Notes 其他说明 (如果是标准产品, 请在此填写产品编号)

Name 姓名		Job Title 职务	
Company Name 公司			
Adress 地址			Postcode 邮编
Telephone 电话		Fax 传真	
E-Mail		HTTP://	